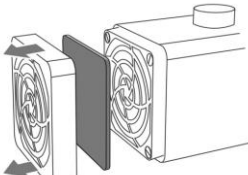


## MAINTENANCE AND TROUBLESHOOTING

– If malfunction occurs, do not repair device on your own. Contact your seller.



Malfunction	How to solve it
Ozone generator doesn't work	Check all cable connections and car battery charge.
Ozone generator is noisy	Disconnect ozone generator from socket, remove filter, clean it with hoover and place it back. 

### TECHNICAL DETAILS:

Voltage	12V DC/230V AC
Power	max. 10 W
Model	aluminium, plastic
Weight	500 g
Dimensions	70x70x185 mm
Protection	IP 20
Fuse	protecting car battery from discharge

### CONTENTS OF PACKAGING:

Item	Amount
Ozone generator LifeOX®-AIR OZZY	1 pc
Adapter 230V /12V	1 pc
Instructions for use	1 pc
Guarantee certificate	1 pc
Sticker (Certificate of purity)	... pc
Supply CL conductor	1 pc

	DO NOT THROW USED DEVICE INTO UNSORTED WASTE, BECAUSE IT CONTAINS SUBSTANCES DANGEROUS FOR ENVIRONMENT. DEVICE MUST BE PUT TO APPROPRIATE RECYCLING CENTER AND RECYCLED SUBSEQUENTLY.	
---	---	--

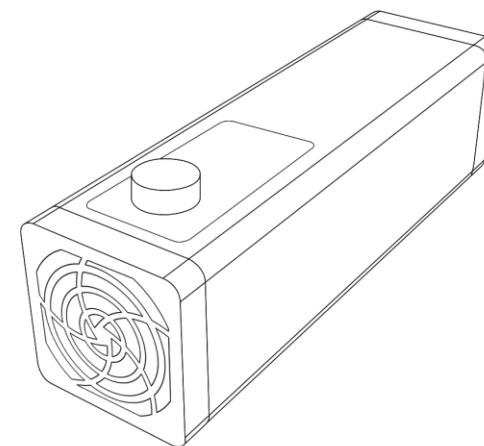
Produced by:



LIFETECH s.r.o., Sumavska 15, 602 00 Brno, Tel. + 420 541 592 253, www.lifeox.com

**LifeOX<sup>®</sup>** **air**  
CARES FOR YOUR HEALTH


## INSTRUCTIONS FOR USE - LIFEOX<sup>®</sup> AIR- OZZY



**USE:** SMELL, BACTERIA AND MOULDS REMOVAL FROM INDOOR SPACES, CARS (INCL. AIR-CONDITIONING SYSTEMS), HOUSEHOLDS, OFFICES, ETC.

**CAUTION!** READ THIS MANUAL CAREFULLY BEFORE USING DEVICE!

### START-UP IN 4 STEPS:

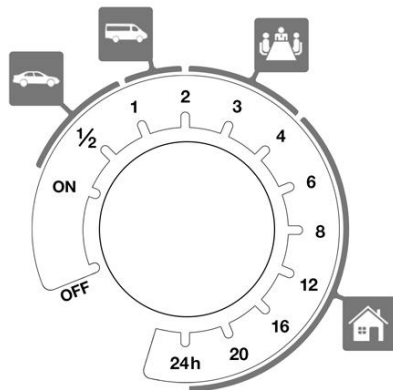
- 1  Place device on a solid base
- 2  Plug device into a socket
- 3  Set time
- 4  Ventilate the space after end of the process

## START-UP (DETAILS):

For car use follow steps 1 - 8. For other spaces steps 1-3, 7, 8.

1. Remove sources of smell from treated space (including air fresheners, food, etc.).
2. Level the ozone generator to horizontal position (for example on passenger front seat). If smell is concentrated on one spot, point ozone outflow at it (Note: outflow side is the one without a filter).
3. For short treatment plug the device in 12V (front panel of the car) or 230V socket for longer treatment (use adapter, put extension cord through narrow gap in window). Device contains fuse against battery depletion, so you don't need to be afraid you will not start the car engine. In trucks with 24V socket use 12V to 24V adapter for using device.
4. Turn radio and lights off.
5. If you want to disinfect air conditioning and ventilation system, turn inside (closed) circulation on (on lowest level), flow through front panel and temperature on lowest level. If its too hot outside, set the air-conditioning approximately to 20°C.
6. Make sure that you closed all windows (except gap in case of extension cord) and secured doors against entrance.
7. Turn the device on, set time and leave treated space. (If you are willing to change time setting, turn the device off and set time anew.)
8. Ventilate the space after treatment for 10-15 minutes or wait 1 hour for ozone to decompose. If you still feel bad smell after treatment, it is necessary to repeat ozonation process. After second treatment the disinfection process is usually finished.

### EXAMPLE TIME SETTING ACCORDING TO SPACE VOLUME



## CAUTION – INSTRUCTIONS

- If you need to enter treated space before end of cleaning process, open windows, doors, turn device off and ventilate the space.
- Remove plants and prevent people from entering space during ozonation!
- Long-term inhalation of ozone can cause eye and respiratory system irritation!
- Keep device in dry environment! Avoid high temperatures!
- Do not use in dusty and oily environment!
- Do not use near explosives and flammable substances!
- Do not cover holes for air inlet and outlet of ozone generator!
- Do not use device with damaged cable or fan not running!
- Do not use device without inlet filter! Sucked particles can damage the device.
- Device does not damage clothes, shoes, upholstery, etc.
- If you bring device from low temperature space to one of higher temperature, wait a few minutes for device to warm up.
- In case the voltage of car battery falls under 10V, ozone generator turns off automatically.